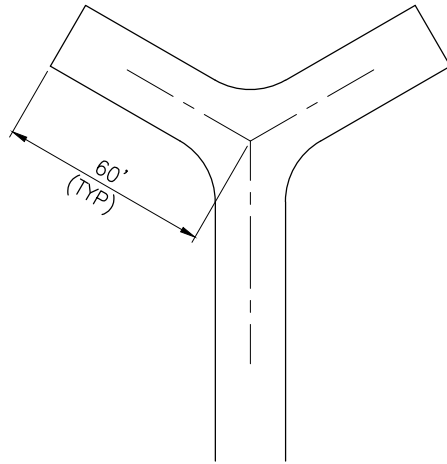
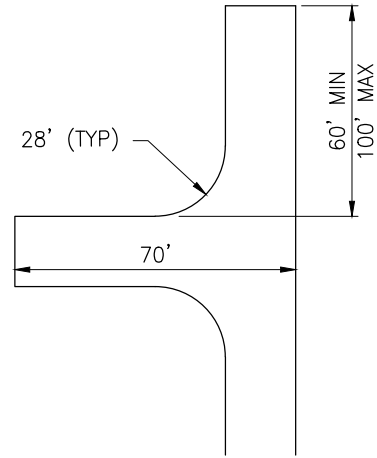


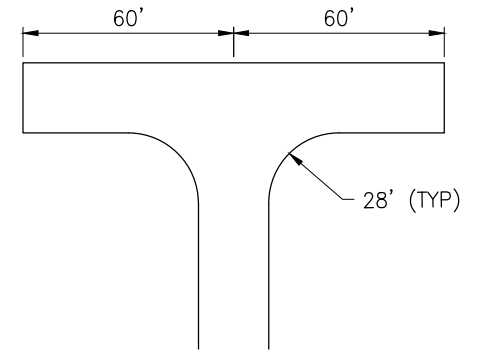
**80' DIAMETER
CUL-DE-SAC**



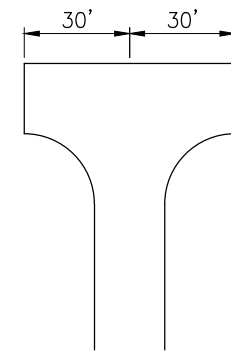
**ACCEPTABLE ALTERNATIVE
TO 120' HAMMERHEAD**



**ACCEPTABLE ALTERNATIVE
TO 120' HAMMERHEAD**



120' HAMMERHEAD



60' HAMMERHEAD

NOTES:

1. ALTERNATIVE TURN-A-ROUNDS MAY BE CONSIDERED THAT ALLOW FOR SAFE TURN-A-ROUND OF A SU30 DESIGN VEHICLE.

NOT TO SCALE



**CITY OF DES MOINES
PUBLIC WORKS DEPARTMENT**

ENGINEERING SERVICES
21650 11TH AVENUE SOUTH
DES MOINES, IA 50319



DEAD END PRIVATE ROAD REQUIREMENTS

DM.A9.7

REVISED: 02/23